



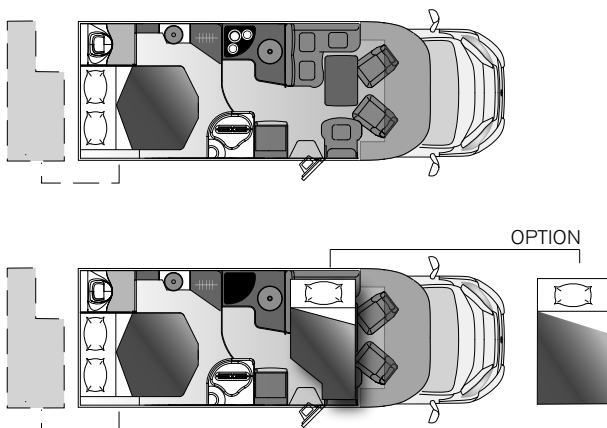
## ECOVIP 312



## TECHNICAL DATA

STANDARD

OPTION



STANDARD OUTFITTING PROVISIONS Towbar / Hidden wiring for cabinets - roof - power supply unit / Additional fresh water tank with level reading / Generator installation system / Reverse camera / Turbovent roof-light in the bathroom and the kitchen

(##) Before starting to drive, check that the level of the fresh water tank does not exceed 20 Lt.; (Et) With furniture version "Noce Melinga" the table is in white laminate (instead of anthracite); (\*\*\*) Optional window in washroom; (@@) With Fiat 43 mechanics (only with 3.800 and 4.035 mm connection) and 180 HP engine the maximum allowable mass is 4,400 Kg; (PTM) TIW stands for Total Increased Weight, or the potential expected increase in weight; (\*) The right hand drive version is not available with 115 HP engines, but only with 130, 150 or 180 HP; (\*\*) The Fiat 43 mechanics is only possible with engines 130, 150 or 180 HP; (@) Should a motorcycle rack be installed the Heavy chassis be downgraded, the number of type-approved seats may vary; (\*) With the drop-down bed, the Midi-Heki roof-light will be replaced by a Mini-Heki roof-light; (#) Weight in running order includes: 75 Kg for the driver, fuel and fresh water tanks (20 Lt) at 90% of capacity, gas at 90% and electric cable, basic standard version. Variance is possible within the tolerance levels of the materials and production processes used. The weights and type-approved seats vary according to engine size, model and accessories supplied.

## CHASSIS

ABS, EBD, ESP Traction+, Hill Holder, Hill Descent	•	
Drive	Front	
Engine	Turbo Diesel Common Rail	
Engine displacement (cc)	2,000	2,300 - 3,000
Fuel tank	60 l.	120 l.
Gearbox	5+1	6+1
Maximum power kW (HP)	85 (115)	96 (130)   109 (150)   130 (180)
Mechanics(*)(**)	Fiat Ducato 35	Fiat Ducato 43
Version	Euro 5+	
Wider rear track	•	

## DIMENSIONS AND WEIGHTS

External length	6.990 mm	
External width	2,300 mm	
Internal height	2,100 mm	
Internal width	217 cm	
Maximum total weight	3.500 Kg	3.650 - 4.250 - 4.400Kg(PTM) (@@)
Overall height	2,920 mm	
Payload (about)	542 Kg	692 - 1.252 - 1.402 Kg(PTM)
Towable mass	1,600 Kg	2,000 Kg (130 150 180 HP) (PTM)
Type-approved seats(@)	4	5
Weight in running order(##)	2,958 Kg	2,958-2,998-2,998 Kg(PTM)
Wheelbase	4.035 mm	

## THICKNESS

Floor	55 mm	
Roof	40 mm	
Walls	35 mm	

## TANKS

Additional fresh water tank		80 l.
Fresh water tank (heated and anti-freeze)(##)	80 + 20 l.	
Waste water recovery tank with external vent	110 l.	
WC (antifreeze) with Thetford cassette	19 l.	

	STANDARD	OPTION		STANDARD	OPTION
<b>EQUIPMENT</b>					
"North Pole" curtain between cab and living area		•	360° swivelling table with telescopic leg	•	
Additional 12 V socket in the cab (max 180 W)	•		Artificial leather upholstery		Firenze
Anti-theft system, electrical, volumetric and perimeter		•	Fine, real leather upholstery		Vip-Club
Car radio antenna integrated in rear view mirror	•		Sliding door to separate living and sleeping areas	•	
Central locking system in cab and living area	•		TV stand above the refrigerator (cable setting)	•	
Electric step, can be operated from the dashboard with light and acoustic warning sign		•	TV stand at the rear (hidden TV)	•	
Entrance door: double-locking, fixed window, blind, flyscreen and waste bin	•		TV stand in the living area (hidden TV)	•	
Front fog lights		•	Upholstery with anti-stain treatment	Verona	Bologna   Como   Torino
Headlamp leveller	•		<b>KITCHEN &amp; WASHROOM</b>		
LED daytime running lights		•	230 V socket in the kitchen	•	
LED daytime running lights, integrated in the headlamps	•		3-burner hob	•	
LED outdoor light	•		Additional worktop with own storage compartment	•	
Midi Seitz roof-light in the living room(°)	•		Cloth-rack integrated in the shower ceiling	•	
Power windows	•		Gas oven Tec-Tower		•
Rear-view mirrors: heated, el. adjustable, wide angle tilt	•		Seitz Mini-Heki roof-light in the kitchen	•	
Seitz S4 windows with blinds and flyscreens	3	1(****)	Three-way fridge HPC with separate freezer, mirrored smoked finish, automatic power source selection (AES) and external inspection hatch	160 l.	
Single key for both doors and hatches	•		Transparent roof-light in bathroom	280 x 280 mm	
Stabilizer bar, front and rear	•		Turbovent roof-light in the bathroom		•
Swivelling, upholstered cab seats with headrests, two armrests and adjustable height and incline	•		Turbovent roof-light in the kitchen		•
Two speakers in cab	•		Wooden platform for shower plate		•
Windscreen and side windows pleated blind (Remis), 3 pieces	•		<b>TECHNICAL EQUIPMENT</b>		
<b>BEDS</b>					
Adjustable reading lights on all beds	•		12 V sockets ~ 230 V sockets	3 - 3	
Berths	3	1	Additional heater		•
Dinette bed	200x100 50 cm		Battery charger 20A, automatic	•	
Electric drop-down bed above the dinette(°)		191x100 cm	Heating system	Truma Combi 6	
Height under drop-down bed	195 cm		TV sockets in living room - rear bedroom	1 - 1	
Rear bed electrically adjustable height	•		<b>GARAGE</b>		
Rear bed with wooden slats	190x135 cm		Dimensions (W x H x L)	217x117 23x100 cm	
Rear mattress in Biolatex	•		Garage load capacity	220 Kg	
<b>FITTING-OUT</b>					
Furniture design(€)	Rovere Trentino	Noce Melinga   Olmo Toscano	Left hatch (W x H)	63x15 cm	
Indirect lighting over the hanging cabinets	•		Right hatch (W x H)	74x107 cm	
Wardrobes	1		Warning lamp on dashboard for open garage door	•	